

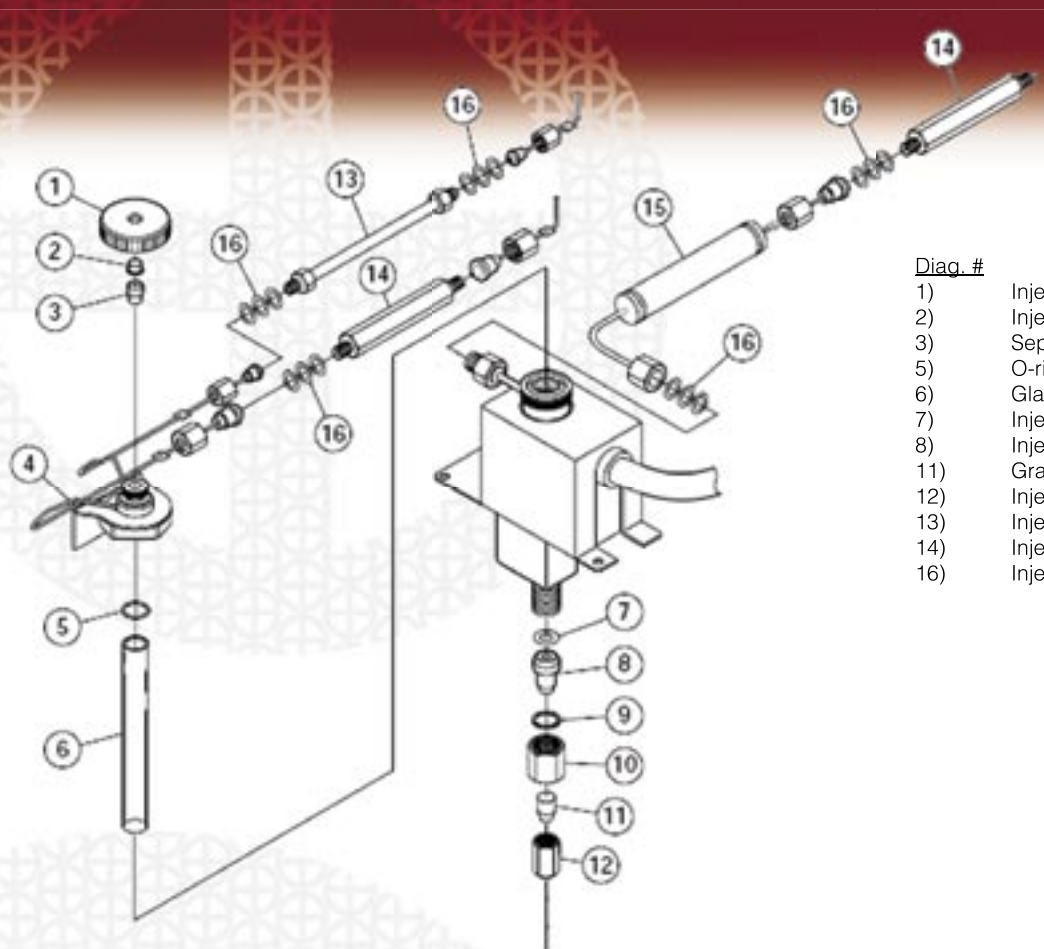


GC-2010

Consumables

Shimadzu
Gas Chromatography





Diag. #

- 1) Injection Port - Septum Nut
- 2) Injection Port - Needle Guide
- 3) Septum
- 5) O-ring for Glass Insert
- 6) Glass Insert
- 7) Injection Port - Gold seal
- 8) Injection Port - Base Capillary Adaptor
- 11) Graphite Ferrule
- 12) Injection Port - Split Nut
- 13) Injection Port - Filter (molecular sieve)
- 14) Injection Port - Filter (purge line)
- 16) Injection Port - Aluminum Gasket

Injection Port

Diag. #	Part No.	Name	Description
1	221-16325-01	Septum Nut, GC-2010	Septum nut for GC-2010
2	221-44584-00	Needle Guide	Stock Needle Guide
7	221-49065-91	Gold Seal (pack of 5)	Gold Gasket, large, for sealing injection port base, 5pc
8	225-10167-91	Injection port base Capillary Adaptor	This is the injection port base fitting for connecting capillary columns in an SPL-2010
12	221-32705-00	Split nut, GC-2010	Used for mounting capillary columns in injection port
13	221-34121-93	Filter	Molecular sieve; for removing contamination in carrier
14	221-42559-92	Filter	Purge line
16	201-35183-00	Aluminum Gasket	Aluminum gaskets, for sealing tubing connections with G-type fittings, 100pcs
	221-48600-00	Silica Wool Stuffing, deactivated	2 grams
	221-43947-91	Column Holder	Windmill type, compatible with any caged capillary column; up to 2 holders can be attached together and installed in oven
	221-47159-00	Column Holder	Hanger type; up to two will fit in a GC oven
	221-15561-91	Glass column connection hardware	Necessary for connecting a glass column to the GC; order two for a complete set
	221-15563-91	5mm ID ferrule for packed column connection	These ferrules are used to seal the column connection; use one each for the injector and detector

Septum

Diag. #	Part No.	Name	Description
3	221-48398-91	Septa, Chromocol Red	High temperature w/ 20pcs; more than 350°C
3	220-90638-00	Septa, Chromocol Blue	Temperatures up to 290°C, 25/pk
3	221-35507-02	Septa, Supelco Thermogreen	High temperature (340°C), puncture resistant
3	220-90547-00	Septa, Restek Thermolite	High temperature (340°C), puncture resistant, 50 pk

O-ring for Glass Insert

Diag. #	Part No.		Description
5	036-11201-84	O-ring	O-ring for sealing OCI metal column guide, 5pk
5	036-11203-84	O-ring	Fluoride rubber, for sealing glass inserts in GC-2010 (up to 450°C), 5pk
5	221-47222-91	O-ring	Graphite for splitless / WBI w/ 4pcs; for high temperature (350°C to 450°C)
5	221-48393-91	O-ring	Graphite for split w/ 4pcs; for high temperature (350°C to 450°C)

Glass Insert

Diag. #	Part No.	Name	Description
6	220-90784-00	Split Liner, GC-2010, 2014 spl, GC-17 and all GCMS	Split liner, general purpose, open tube, silanized, with wool, 5pk. Comes standard on all split/splitless capillary GC systems.
6	221-48876-02	Splitless liner	Splitless liner, open at top, tapered at bottom with wool, Silanized, used for performance testing of GCMS, 5pk
6	220-90816-01	Split Liner, Siltek coating	Siltek Injection Port Liners, general purpose split injection liner. Contains treated silica wool.
6	220-94590-00	Quartz Injection Liners	Quartz Injection Port Liner (pack of 5), contains quartz wool
6	221-49381-02	OCI-2010	Silanized glass insert for use with the OCI-2010 to provide direct injections into megabore (0.53mm ID) through narrow-bore (0.25mm ID) columns. No wool.
6	221-49300-00	LVI/PTV insert	Quartz PTV-2010 to provide large volume pvt injections on to a capillary column. Silanized, no wool.
6	221-49298-91	OCI metal column guide	This is the standard metal insert for use in the OCI when true on-column injections are performed.
6	220-94735-01	Direct Inject mega-bore liner	Silanized, with wool
6	220-94734-01	Splitless drilled uniliner	Use this silanized liner for maximum loading when making splitless injections. Hole near top for use with aqueous samples or later eluting compounds. 5pk
6	220-94734-02	Splitless drilled uniliner	Use this silanized liner for maximum loading when making splitless injections. Hole at bottom for compounds that elute near the solvent peak. 5pk
6	220-94766-00	Split SGE focus liner	Silanized with wool
6	220-94767-00	Splitless SGE focus liner	Straight open tube, no wool
6	220-94768-00	Direct Inject	For wide-bore (0.53 mm ID) capillary columns
6	220-94769-00	Low volume liner	For SPME or Purge and Trap applications



Graphite Ferrule

Diag. #	Part No.	Name	Description
11	221-32126-05	Ferrule	Graphite G0.5 w/ 10pcs; inserting capillary column
11	221-32126-08	Ferrule	Graphite G0.8 w/ 10pcs; inserting wide-bore column

Flame Ionization Detector (FID)

Part No.	Name	Description
221-48258-91	FID-2010 Jet	Jet for capillary FID-2010 0.5 mm ID
221-41847-93	Igniter	Igniter for FID-2010
221-41532-92	Graphite ferrule placement tool	Tool used to aid in the proper positioning of the column during install into an FID-2010
221-48885-91	Packed column jet	0.5 mm ID, used with glass and stainless packed columns
221-49373-91	Packed or wide-bore column jet	0.8mm ID for use with aqueous injections. Included in the residual solvents kit.

FPD Detector

Part No.	Name	Description
221-46310-01	Sulfur Filter	Filter for the detection of sulfur compounds for FPD-2010 only
221-46310-02	Phosphorus Filter	Filter for the detection of phosphorus compounds for FPD-2010 only
221-46310-03	Tin Filter	Filter for the detection of tin compounds for FPD-2010 only
221-46552-00	Quartz Cylinder	FPD-2010 quartz cylinder

FTD Detector

Part No.	Name	Description
221-45586-91	FTD Collector assembly	FTD-2010/2014 collector assembly
221-49079-91	FTD Bead recoating kit	Re-coating kit for replacement of rubidium bead on FTD-2010/2014
221-70846-91	Bead regeneration tool	This tool makes the bead re-coating easier.

Packed Column Hardware

Part No.	Name	Description
201-47614-00	O-RING SILICON,20/PK,GC-8A,9A,14A	
220-90014-01	UNION 2MM/1/8	Stainless Steel adapter union
221-15561-91	COLUMN, GLASS, JOINT KIT GC	Connect a glass packed column to an injector or detector
221-46403-92	FERRULE GRAPHITE, 5mm	
221-43143-91	Stainless Steel COLUMN ADAPTOR, injector	Injection port connection
221-43143-92	Stainless Steel COLUMN ADAPTOR, detector	Detector connection
221-48885-91	NOZZLE FID-2010 FOR PACKED COLUMNS	0.8mm ID

Glass Packed Columns

Part No.	Name	Description
221-41483-20	Glass Column: 2.6mm ID X 5mm OD X 2M	Fits GC-2010 and GC-17 injectors and detectors; must be in specific positions for the column to fit.
221-41483-30	Glass Column: 2.6mm ID X 5mm OD X 3M	Fits GC-2010 and GC-17 injectors and detectors; must be in specific positions for the column to fit.



SHIMADZU CORPORATION International Marketing Division
 3. Kanda-Nishikicho 1-chome, Chiyoda-ku, Tokyo 101-8448, Japan
 Phone: 81(3)3219-5641, Fax: 81(3)3219-5710
 URL: www.shimadzu.com

SHIMADZU SCIENTIFIC INSTRUMENTS, INC.
 7102 Riverwood Drive, Columbia, Maryland 21046, U.S.A.
 Phone: 800-477-1227/410-381-1227, Fax: 410-381-1222
 URL: www.ssi.shimadzu.com