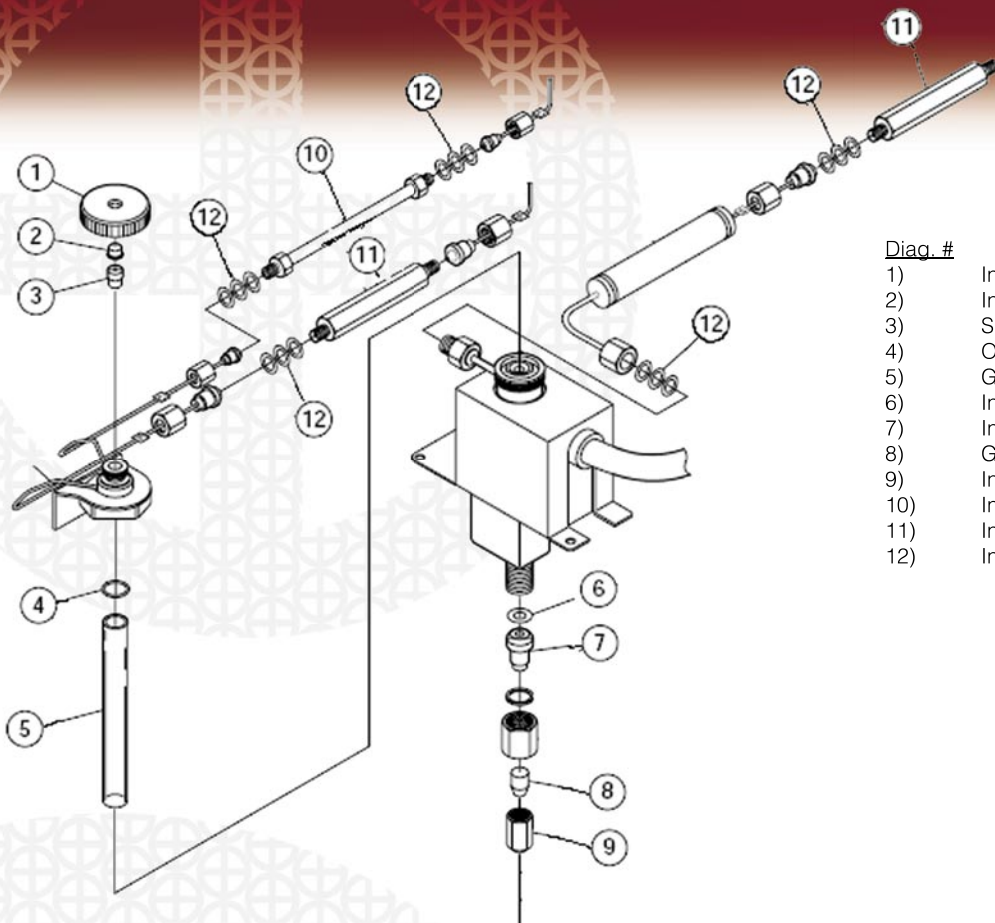




GCMS-QP2010 Series Consumables

Shimadzu
Gas Chromatograph/Mass Spectrometer





Diag. #

- 1) Injection Port - Septum Nut
- 2) Injection Port - Needle Guide
- 3) Septum
- 4) O-ring for Glass Insert
- 5) Glass Insert
- 6) Injection Port - Gold seal
- 7) Injection Port - Base Capillary Adaptor
- 8) Graphite Ferrule
- 9) Injection Port - Split Nut
- 10) Injection Port - Filter (molecular sieve)
- 11) Injection Port - Filter (purge line)
- 12) Injection Port - Aluminum Gasket

Injection Port

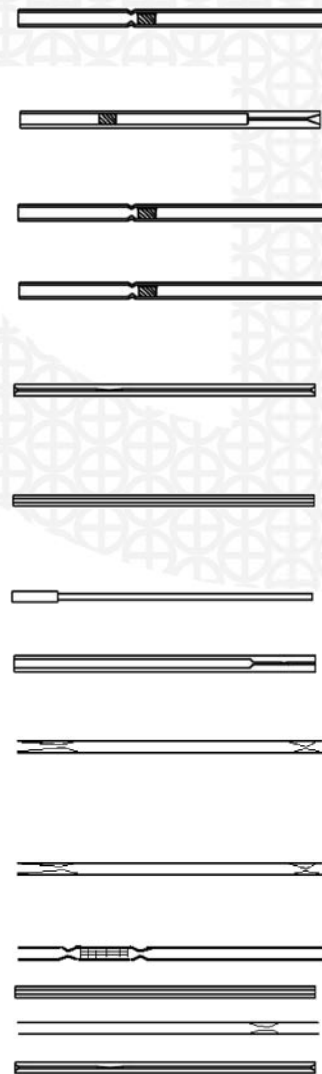
Diag. #	Part No.	Name	Description
1	221-16325-01	Septum Nut, GC-2010	Septum nut for GC-2010.
2	221-44584-00	Needle Guide	Stock Needle Guide
6	221-49065-91	Gold Seal (pack of 5)	Gold Gasket, large, for sealing injection port base, 5pc
7	225-10167-91	Injection Port base Capillary Adaptor	This is the injection port base fitting for connecting capillary columns in an SPL-2010
8	220-90418-14	Ferrule: GVF/004, 10/PK	For 0.25mm id columns
8	220-90418-15	Ferrule: GVF/005, 10/PK	For 0.32mm id columns
8	220-90418-18	Ferrule: GVF/008, 10/PK	For 0.53 mm id columns
8 & 9	220-94773-00	SiTite nut and ferrule kit	For 0.25mm id columns, kit contains 10 ferrules and 2 nuts
9	670-11009-00	Column Nut	Capillary column nut, 1/4 in. for capillary column connection to the injection port and MS interface
10	221-34121-93	Filter	Molecular sieve; for removing contamination in carrier
11	221-42559-92	Filter	Septum purge and split lines
12	201-35183-00	Aluminum Gasket	Aluminum gaskets, for sealing tubing connections with G-type fittings, 100pcs
	221-48600-00	Silica Wool, deactivated	2 grams
	221-43947-91	Column Holder	Windmill type, compatible with any caged capillary column. Up to 2 holders can be attached together and installed in oven. GC-17.
	221-47159-00	Column Holder	Hanger type, up to two will fit in a GC oven. GC-2010.
	220-94702-00	Capillary Column Cutting Wafer	Ceramic wafer

O-ring for Glass Insert

Diag. #	Part No.	Name	Description
4	036-11201-84	O-ring	O-ring for sealing OCI metal column guide, 5pk
4	036-11203-84	O-ring	Fluoride rubber, for sealing glass inserts in GC-2010 (up to 450°C), 5pk
4	221-47222-91	O-ring	Graphite for splitless / WBI w/ 4pcs; for high temperature (350°C to 450°C)
4	221-48393-91	O-ring	Graphite for split w/ 4pcs; for high temperature (350°C to 450°C)

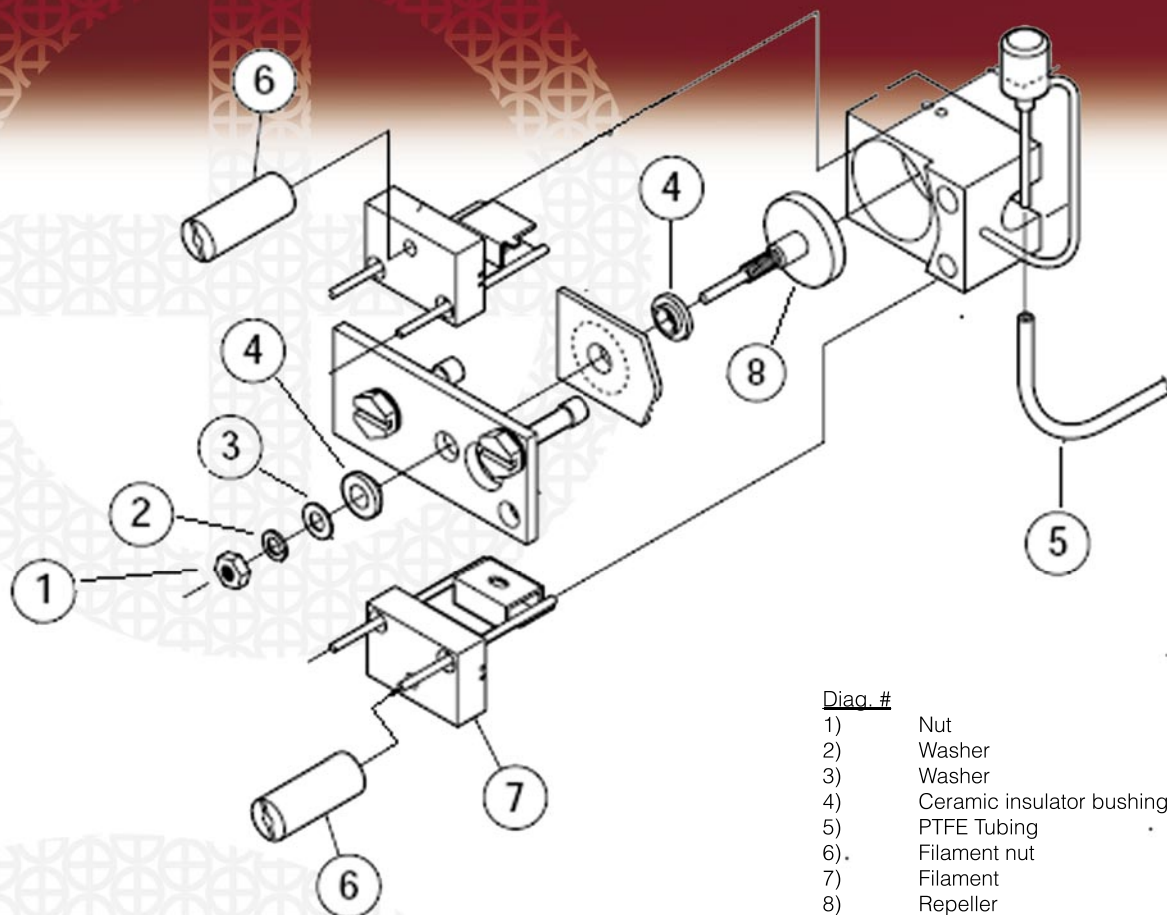
Glass Insert

Diag. #	Part No.	Name	Description
5	220-90784-00	Split Liner, GC-2010, 2014 spl, GC-17 and all GCMS	Split liner, general purpose, open tube, silanized, with wool, 5pk. Comes standard on all split/splitless capillary GC systems.
5	221-48876-02	Splitless liner	Splitless liner, open at top, tapered at bottom with wool, Silanized, used for performance testing of GCMS, 5pk
5	220-90816-01	Split Liner, Siltek coating	Siltek Injection Port Liners, general purpose split injection liner. Contains treated silica wool.
5	220-94590-00	Quartz Injection Liners	Quartz Injection Port Liner (pack of 5), contains quartz wool
5	221-49381-02	OCI-2010	Silanized glass insert for use with the OCI-2010 to provide direct injections into megabore (0.53mm ID) through narrow-bore (0.25mm ID) columns. No wool.
5	221-49300-00	LVI/PTV insert	Quartz PTV-2010 to provide large volume pvt injections on to a capillary column. Silanized, no wool.
5	221-49298-91	OCI metal column guide	This is the standard metal insert for use in the OCI when true on-column injections are performed.
5	220-94735-01	Direct Inject mega-bore liner	Silanized, with wool
5	220-94734-01	Splitless drilled uniliner	Use this silanized liner for maximum loading when making splitless injections. Hole near top for use with aqueous samples or later eluting compounds. 5pk
5	220-94734-02	Splitless drilled uniliner	Use this silanized liner for maximum loading when making splitless injections. Hole at bottom for compounds that elute near the solvent peak. 5pk
5	220-94766-00	Split SGE focus liner	Silanized with wool
5	220-94767-00	Splitless SGE focus liner	Straight open tube, no wool
5	220-94768-00	Direct Inject	For wide-bore (0.53 mm ID) capillary columns
5	220-94769-00	Low volume liner	For SPME or Purge and Trap applications



Septum

Diag. #	Part No.	Name	Description
3	221-48398-91	Septa, Chromocol Red	High temperature w/ 20pcs; 350°C and above
3	220-90638-00	Septa, Chromocol Blue	Temperatures up to 290°C, 25/pk
3	221-35507-02	Septa, Supelco Thermogreen	High temperature (340°C), puncture resistant
3	220-90547-00	Septa, Restek Thermolite	High temperature (340°C), puncture resistant, 50 pk



- Diag. #
- 1) Nut
 - 2) Washer
 - 3) Washer
 - 4) Ceramic insulator bushing
 - 5) PTFE Tubing
 - 6) Filament nut
 - 7) Filament
 - 8) Repeller

Ion Source

Diag. #	Part No.	Name	Description
1	023-04020-00	Nut, 4mm	Repeller assy piece
2	023-77020-00	Spring washer	Repeller assy piece
3	023-66120-00	Spring washer	Repeller assy piece
4	225-01068-00	Ceramic insulator bushing	Repeller assy ceramic insulator
5	016-37575-03	PTFE Tubing	Reagent gas supply line for CI/NCI source
6	225-10238-00	Filament Nut	Filament retaining nut
7	225-10340-91	Filament	New style, upgrade for all QP2010 Series instruments
8	225-10447-91	Repeller	Repeller for QP2010/2010S
8	225-17698-91	Repeller	Repeller for QP2010 Plus

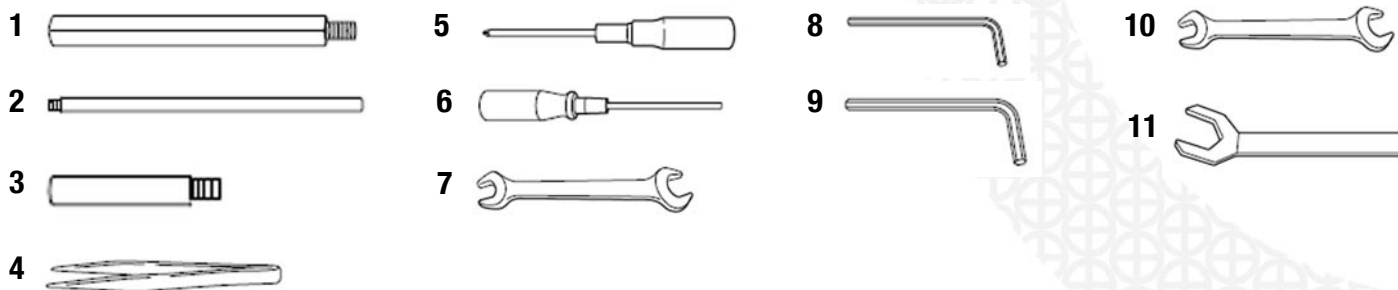
Additional Items

Part No.	Name	Description
220-90775-03	PFTBA Tuning Standard	5 grams
225-04257-91	Glass PFTBA Reservoir	5/pck
225-09493-01	TRIS	0.5 grams
220-97808-00	Pump Oil (1L) Ultragrade 19	For use with the RV 3
220-97808-01	Pump Oil (4L) Ultragrade 19	For use with the RV 3
220-97808-02	Pump Oil (1L) Ultragrade 15	For use with the RV 1.5
036-11271-00	O-ring 4D PL 05	O- ring for MS front door
220-94689-00	Oil mist filter	Oil mist filter for use with RV 3
220-94695-00	Oil mist filter	Oil mist filter for use with RV1.5
220-94697-00	GCMS Four Component Test Mix	1mL, used during QA testing and install
670-15003-01	Ferrule GVF-16-000	For sealing GC injector or interface without column,10/pk

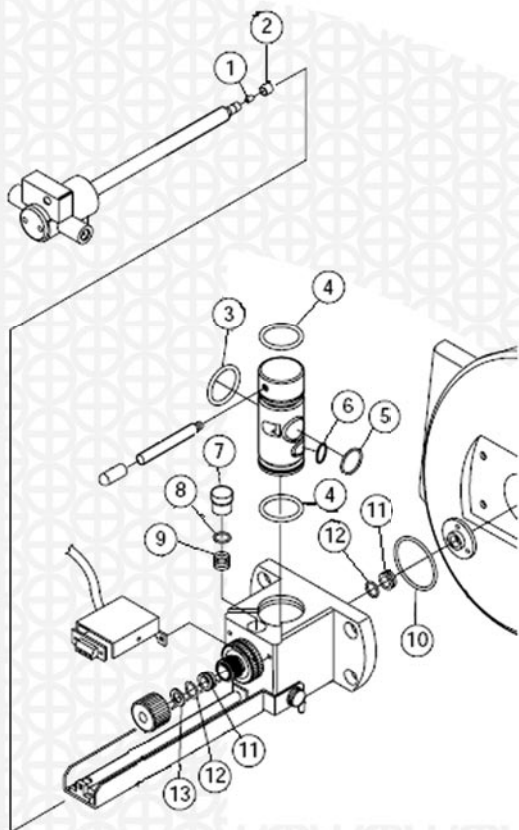
Order online at <http://store2.shimadzu.com/> or call 1 (800) 477-1227

Tools

Tool #	Part No.	Name	Description
1	225-10194-91	Ion Source Removal Tool	Replacement from ship kit
2	225-11657-08	Insertion Depth Measurement Tool	MS, interface, capillary column
3	225-11657-09	Insertion Depth Measurement Tool	Injection port, split/splitless, for standard liners, capillary column
4	086-16101-00	Tweezers	Replacement tweezers from ship kit
5	086-11002-00	#2 Phillips screwdriver	Replacement from ship kit
6	086-12011-00	Repeller hex nut driver	Replacement from ship kit
7	086-03410-00	1/4, 5/16 open end wrench	For tightening column nuts
8	086-03804-00	3mm Allen wrench	Replacement from ship kit
9	086-03806-00	5mm Allen wrench	Replacement from ship kit
10	086-03011-00	10mm,12mm open end wrench	Replacement from ship kit
11	221-46977-00	Wrench, injection port insert	Replacement injection port insert wrench



DI-2010



Diag. #	Part No.	Description
1	225-09470-00	Quartz sample vial (10 pcs)
1	225-09344-00	sample vials (100 pcs)
2	225-04209-00	Sample vial holding cap
3	036-15551-18	O-ring, ARP118 4D
4	036-15552-11	O-ring, ARP211 4D
5	036-15551-13	O-ring, ARP113 4D
6	036-15551-10	O-ring, APR110 4D
7	225-01206-02	DI Chamber Button
8	036-10204-84	O-ring, 1A P6 (5 pk)
9	225-01207-01	Spring for DI chamber button
10	036-11237-00	O-ring, 4D P35
11	200-33168-00	Probe teflon seals
12	036-15550-12	O-rings, ARP012 4D, for probe teflon seal
13	202-73225-00	Washer, DI probe inlet

GCMS-QP2010 Series

- GCMS-QPQ2010 Plus
- GCMS-QP2010S



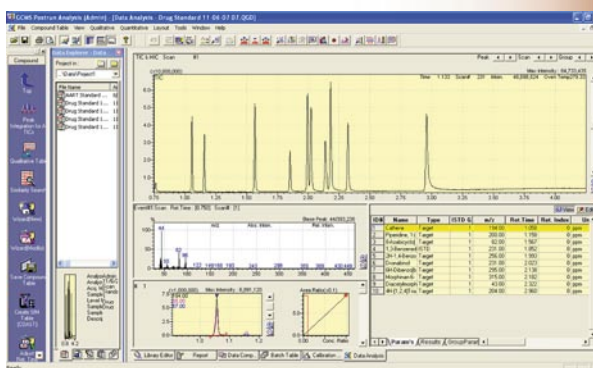
The most sensitive GC/MS on the market, Shimadzu's GCMS-QP2010 Plus delivers better performance and reliability with unsurpassed hardware capabilities and powerful, flexible software. Utilizing many of the high-end features of the GCMS-QP2010 Plus, the GCMS-QP2010S offers high throughput and excellent productivity, providing users with an excellent performance-to-cost ratio. The GCMS-QP2010 Series features:

- Extended mass range
- Powerful vacuum
- 20 temperature ramps
- High-performance split-flow TMP
- Patented constant linear velocity

GCMSsolution software combines ease of use and versatility for increased productivity. Features include:

- FASST (Fast Automated Scan/SIM Technology)
- AART (Automatic Adjustment of Retention Time)
- COAST (Creation of Automatic SIM (Scan/SIM) Table)
- Intelligent batch sequencing
- Flexible, customized reporting

Classical spectrum permits rapid identification of unknowns using commercial libraries, making the GCMS-QP2010 Series ideal for a variety of high-throughput applications.



Founded in 1875, Shimadzu Corporation, a leader in the development of advanced technologies, has a distinguished history of innovation built on the foundation of contributing to society through science and technology. We maintain a global network of sales, service, technical support and applications centers on six continents, and have established long-term relationships with a host of highly trained distributors located in over 100 countries. For information about Shimadzu, and to contact your local office, please visit our Web site at www.shimadzu.com.



SHIMADZU CORPORATION International Marketing Division

3, Kanda-Nishikicho 1-chome, Chiyoda-ku, Tokyo 101-8448, Japan
Phone: 81(3)3219-5641, Fax: 81(3)3219-5710
URL: www.shimadzu.com

SHIMADZU SCIENTIFIC INSTRUMENTS, INC.

7102 Riverwood Drive, Columbia, Maryland 21046, U.S.A.
Phone: 800-477-1227/410-381-1227, Fax: 410-381-1222
URL: www.ssi.shimadzu.com